

# Prestige AMQD Plus

## Grade 3 Anti-Masking Quad PIR

### INSTALLATION INSTRUCTIONS



**THANK YOU FOR VOTING TEXECOM**  
Ask your distributor today for the Texecom full colour Product Guide.

**Texecom**  
www.texecom.com

### QUALITY ASSURANCE



Certificate Number: FM 35285



### WARRANTY

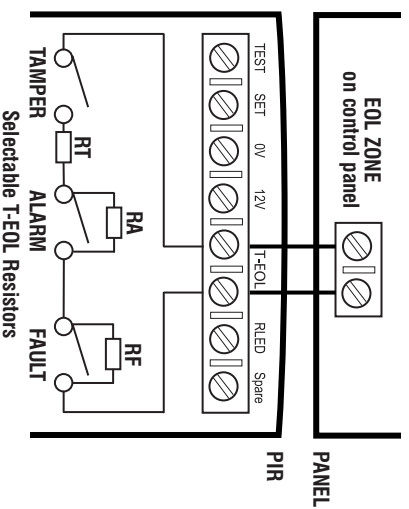
10 year replacement warranty.

The *Prestige AMQD Plus* is designed to detect the movement of an intruder and activate an alarm control panel. As the *Prestige AMQD Plus* is not a complete alarm system, but only a part thereof, Texecom cannot accept responsibility or liability for any damages whatsoever based on a claim that the *Prestige AMQD Plus* failed to function correctly.  
Due to our policy of continuous improvement, Texecom reserves the right to change specification without prior notice. All specifications are measured at 20°C (68°F).

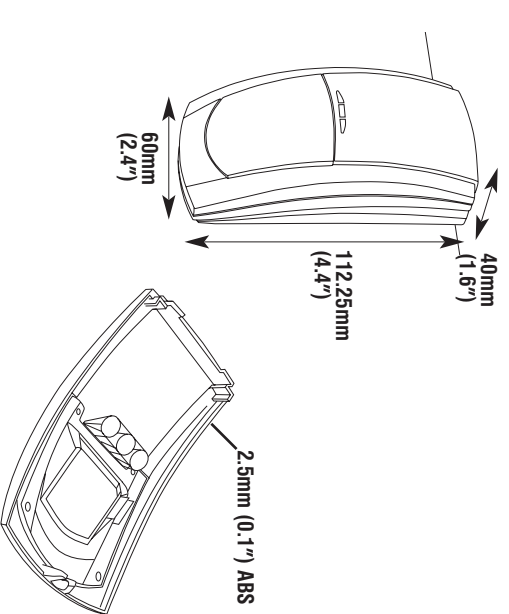
© 2005 Texecom Ltd. Document Ref: PAMQD+/EUL1-0-4  
The *Prestige AMQD Plus* is protected by UK & International Registered Designs. Registered Design No.s: 3004997, 3004260 & 3004261. *Prestige* is a Trademark of Texecom Ltd.

### 7 TRIPLE END-OF-LINE (T-EOL)

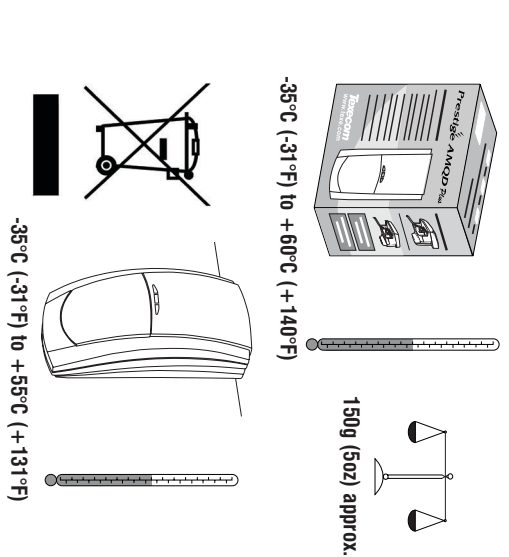
The *Prestige AMQD Plus* is designed to be connected to a single zone on control panels which feature Triple End-Of-Line compatibility. Alarm, Tamper, Fault and Masking are signalled on one pair of wires. To aid installation the resistor values can be selected via the on-board jumpers as shown. All the connections are normally closed. Masking is signalled by the alarm and fault relays opening simultaneously.



### 1 PHYSICAL



### 2 ENVIRONMENTAL



### 3 STANDARDS & APPROVALS

<b>Detector Standard:</b>	TS 501 31-2-2 Grade 3 Environmental Class II.
<b>System Standard:</b>	Suitable for use in a PD 6662/BS EN 50131-1 Grade 3 system, Environmental Class II.
<b>EMC:</b>	Independently certified to BS EN 50130-4 : 1996.
<b>RF Immunity:</b>	No false alarms from 80MHz to 1GHz at 10V/m. Complies with BS EN 61000-4-3 : 2002.
<b>Electrostatic Discharge:</b>	No false alarms up to 8kV. Complies with BS EN 61000-4-2 : 1995.
<b>Fast Transient Immunity:</b>	No false alarms up to ±4kV. Complies with BS EN 61000-4-4 : 1995.
<b>High Energy Transient Immunity:</b>	No false alarms up to ±2kV. Complies with BS EN 61000-4-5 : 1995.
<b>Conducted RF Susceptibility:</b>	No false alarms at 10Vrms. Complies with BS EN 61000-4-6 : 1996.
<b>Conducted &amp; Radiated Emissions:</b>	Complies with EN 55022 Class B.
<b>Product Identifier:</b>	AMQD Plus

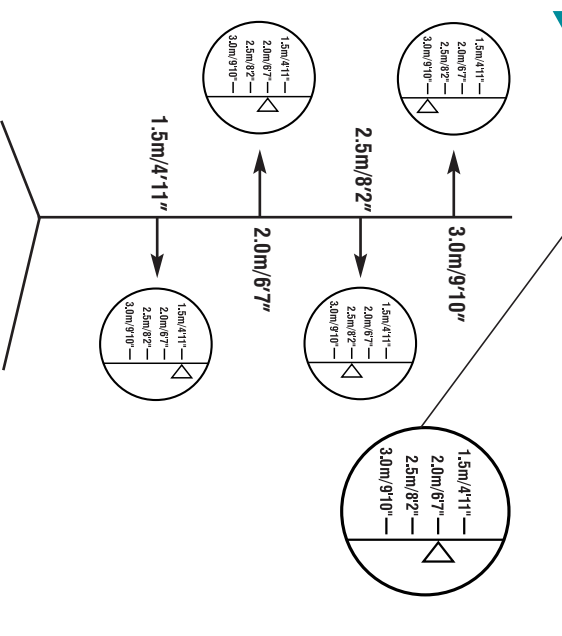
### 5 INPUT FUNCTIONS

<b>RLED:</b> 12V/No connection: 0V;	LED's will function in accordance with the setting of SW2. LED's will not function even if they are enabled via SW2.
<b>SET:</b> 12V/No connection: 0V;	Detector is in the Standby/unset mode.
<b>TEST:</b> 12V/No connection: 0V;	Normal operation. Inhibit remote self-test.

### 6 LED INDICATION

<b>ALARM:</b>	Red LED
<b>MASKING:</b>	Green LED long flashes
<b>FAULT:</b>	Yellow LED long flashes
<b>REMOVAL OF FRONT:</b>	Green LED short flashes

### 8 MOUNTING HEIGHT & SETTINGS



### 9 ALTERING COVERAGE AT 2m MOUNTING HEIGHT

