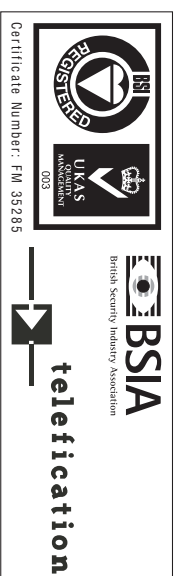


Prestige DT

Professional Dual Technology Detector

INSTALLATION INSTRUCTIONS



Texecom
www.texe.com

NS 250-4
Ask your distributor today for the Texecom full colour Product Guide.

WARRANTY

10 year replacement warranty.

The Prestige DT is designed to detect the movement of an intruder and activate an alarm control panel. As the Prestige DT is not a complete alarm system, but only a part thereof, Texecom cannot accept responsibility or liability for any damages whatsoever based on a claim that the Prestige DT failed to function correctly.

Due to our policy of continuous improvement, Texecom reserves the right to change specification without prior notice. All specifications are measured at 20°C (68°F).

CE 0891

This equipment may be operated in the following countries:

9.35GHz: AUT, BEL, HRV, CYP, CZE, DNK, DEU, HUN, IRL, LVA, LTU, LUX, MLT, NLD, POL, PRT, ROU, SVK, SVN, TUR
9.9GHz: AUT, BEL, HRV, CYP, CZE, DNK, FIN, FRA, GRC, HUN, IRL, ITA, LTU, LUX, MLT, NLD, POL, PRT, ROU, SVK, SVN, TUR
10.525GHz: BEL, CYP, DNK, GRC, HUN, IRL, ITA, LVA, LTU, LUX, MLT, NLD, POL, ROU, SVK, ESP, SWE, ISL
10.687GHz: GBR

© 2003-2005 Texecom Ltd. Document Ref: PDU/DTU1-0-4
The Prestige DT is protected by UK & International Registered Designs. Registered Design No.s: 3004997, 3004280 & 3004281. Prestige is a Trademark of Texecom Ltd.

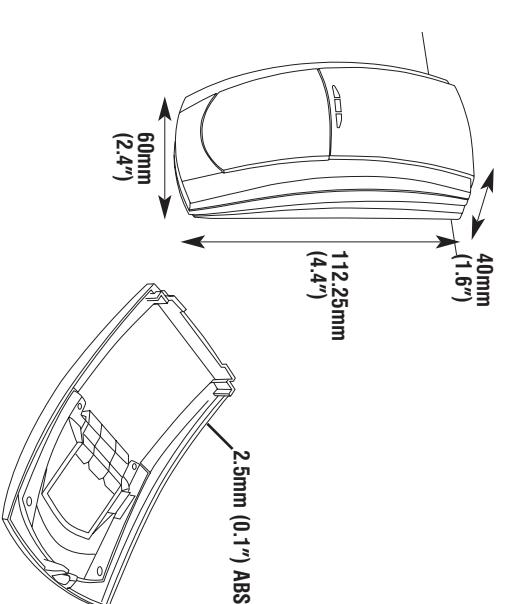
6 LATCH INPUT FUNCTIONS

The latch terminal (see Section 5) can perform several different functions depending on how it is connected:

Latch connected to Set Positive (SW+, Set+): The LEDs will be disabled while the system is set. Any detectors triggered while the system is set will indicate this by permanently lighting the alarm LED (upon unsetting the system). Detectors can be reset by taking the latch line high and then low again.

Latch connected to Alarm Positive (AL+, A+Vet): The first detector activated while the system is set will indicate this with a slowly flashing alarm LED (upon unsetting the system). Detectors activated subsequently will indicate this by permanently lighting the alarm LED. Detectors can be reset by taking the latch line high and then low again.

1 PHYSICAL



4 DECLARATION OF CONFORMITY

This declaration is valid for the following product:

Device type: Dual Technology Detector - DT10007-x
Product Name: Prestige DT
Equipment Classification: Short Range Device, Class 2
Notified Body Number: 0891

This is to confirm that this product meets all essential protection requirements relating to R&TTE Directive: 1999/05/EC

The assessment of this product has been based on the following standards:

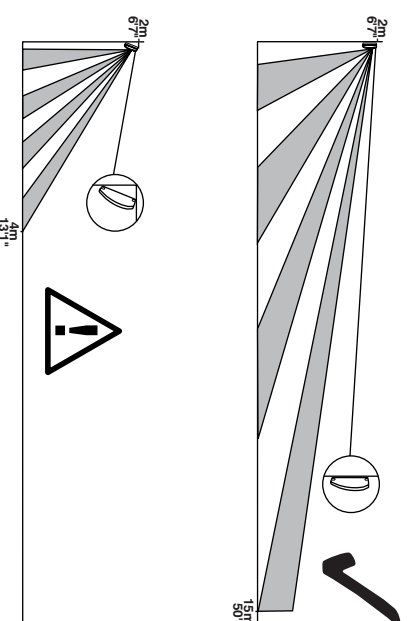
EN 55022 : 1998 Emission Standard for Information Technology Equipment.
EN 50130-4 : 1996 Immunity Standard for Fire Intruder and Social Alarm Systems.
BS EN 60950-1 : 2002 Low Voltage Devices - Electrical Safety
ETSI EN 300 440-1 : 2001 Radio standard for short range devices (9kHz - 40GHz)
ETSI EN 301 489-3 : 2002 EMC standard for short range devices (9kHz - 40GHz)

On behalf of the manufacturer:

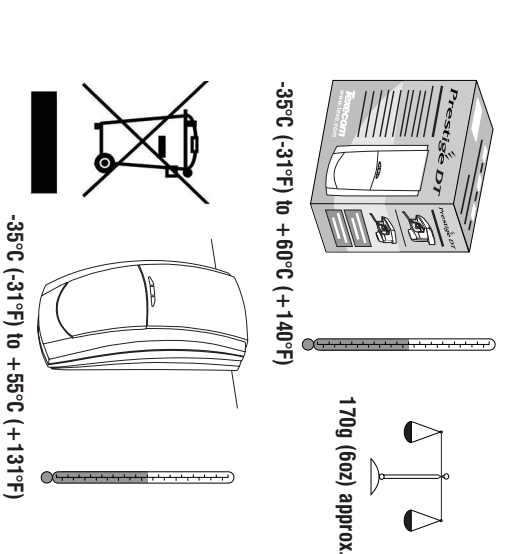
Texecom Ltd., 559 Wilkirkham Road, Manchester, M21 0AE
This declaration is submitted by:

R J Austen, Managing Director
9th October 2003

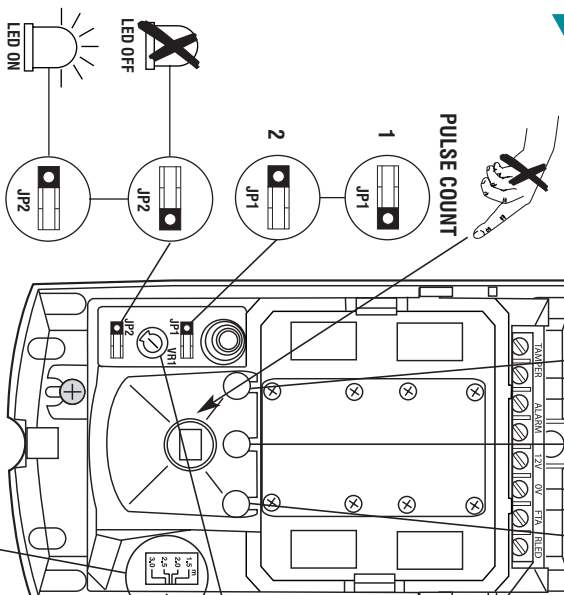
7 ANGLING THE DETECTOR



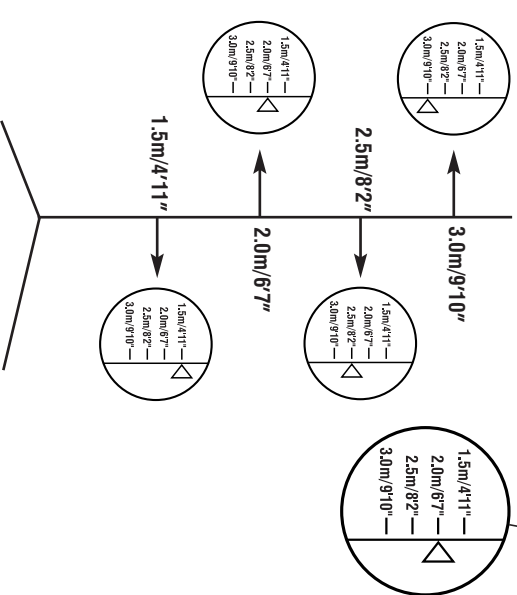
2 ENVIRONMENTAL



5 DO NOT TOUCH



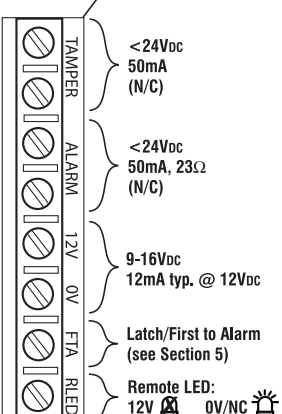
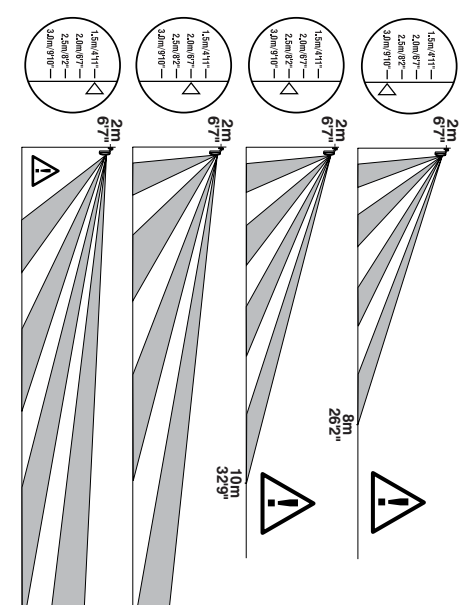
8 MOUNTING HEIGHT AND SETTINGS



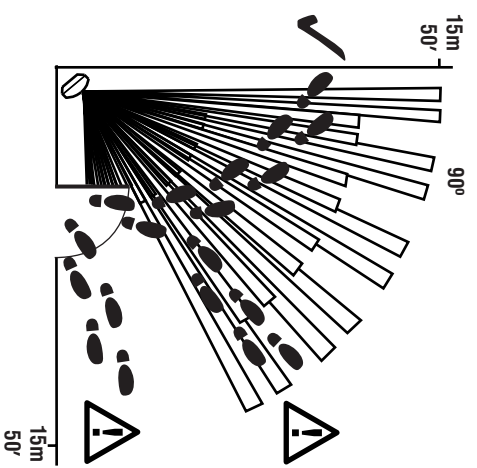
3 STANDARDS & APPROVALS

Detector Standard:	Independently Certified to TS 50131-2-4 Grade 2 Environmental Class II.
System Standard:	Suitable for use in a PD-6682/BS EN 50131-1 Grade 2 system. Environmental Class II.
EMC:	Independently Certified to EN 50130-4 : 1996, EN 300 440-1 : 2001 and EN 301 489-3 : 2002. No false alarms from 80MHz to 1GHz at 10V/m. Complies with BS EN 61000-4-3 : 2002.
RF Immunity:	No false alarms up to 8kV. Complies with BS EN 61000-4-2 : 1995.
Electrostatic Discharge:	No false alarms up to ±4kV. Complies with BS EN 61000-4-4 : 1995.
Fast Transient Immunity:	No false alarms up to ±2kV. Complies with BS EN 61000-4-5 : 1995.
High Energy Transient Immunity:	No false alarms at 10V/m.
Conducted RF Susceptibility:	No false alarms at 10V/m.
Conducted & Radiated Emissions:	Complies with EN 55022 Class B.
Electrical Safety:	Complies with EN 60950-1 : 2002.
Product Identifier:	DT

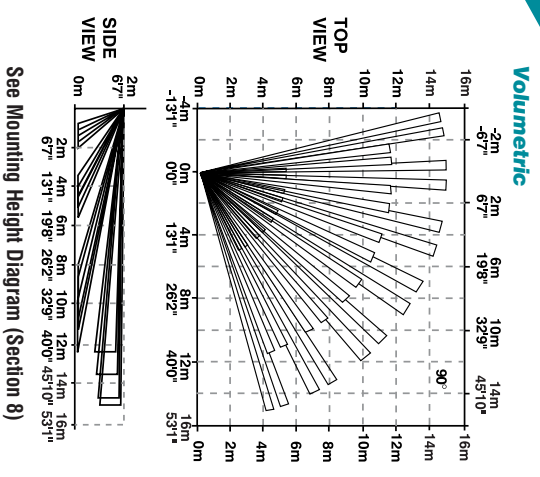
9 ALTERING COVERAGE AT 2m MOUNTING HEIGHT



10 COVERAGE AND PICK-UP

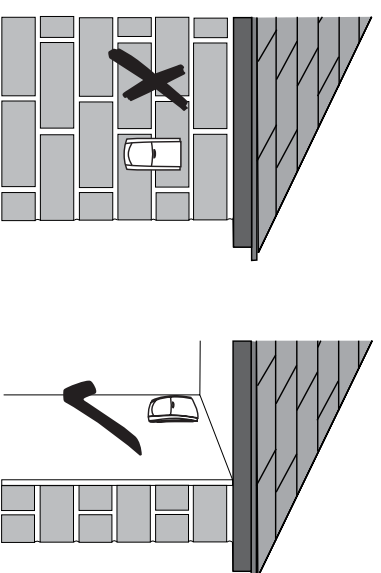


11 COVERAGE PATTERN



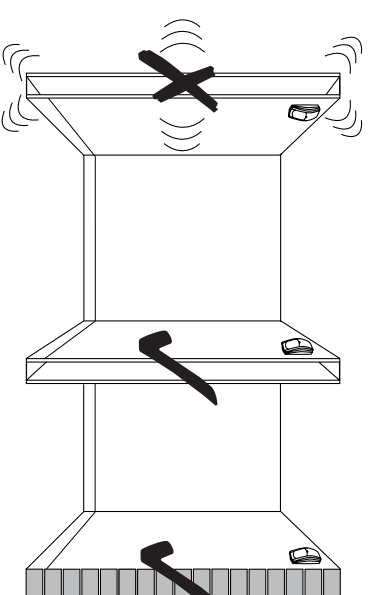
12 MOUNTING THE PRESTIGE DT

For indoor use only



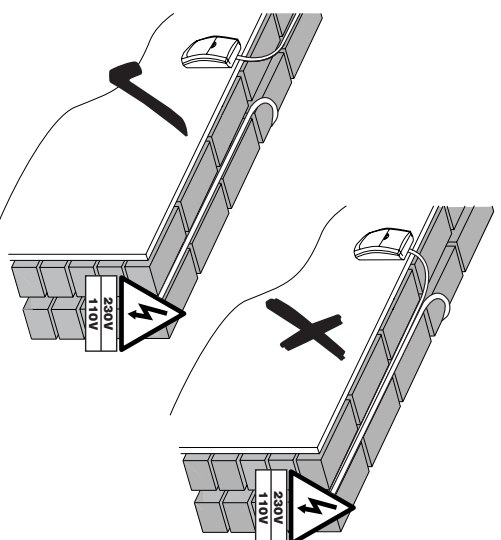
13 MOUNTING THE PRESTIGE DT

Mount on a stable surface



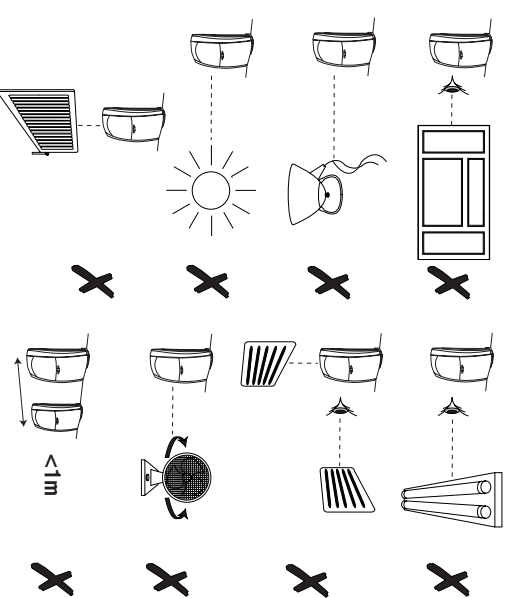
14 WIRING

Do not run cable parallel to mains wiring



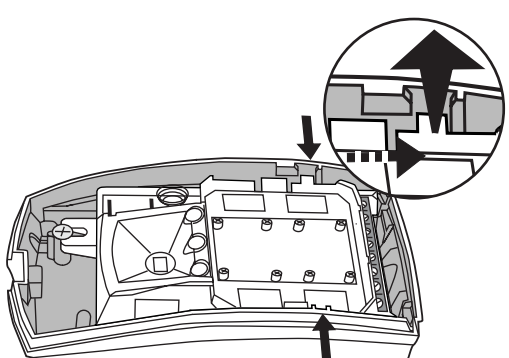
15 CHOOSING A LOCATION

Avoid common false alarm sources

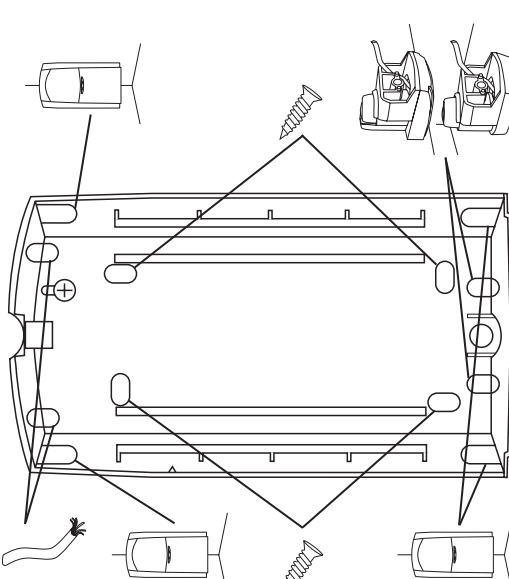


16 HOW TO REMOVE THE CHASSIS

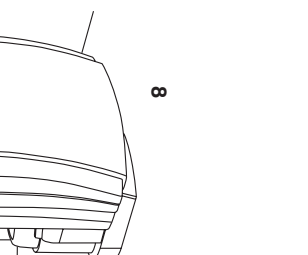
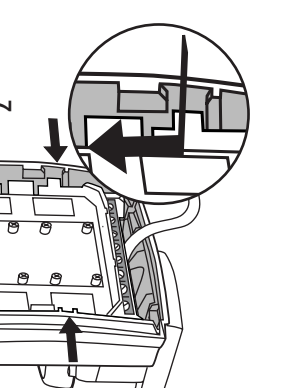
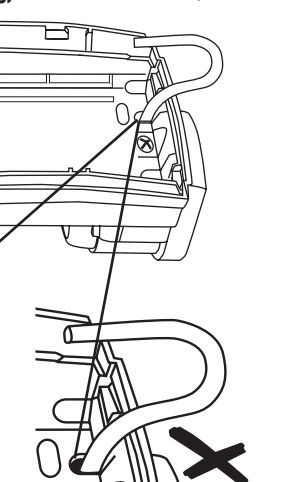
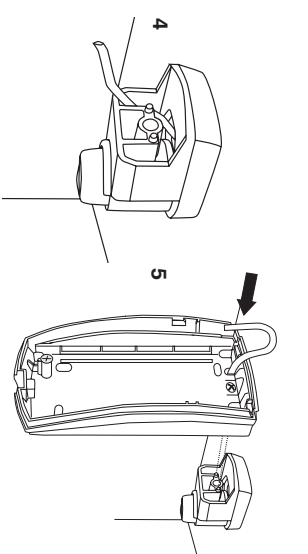
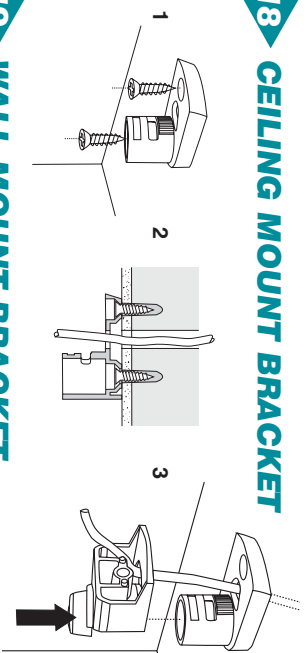
Remove chassis before mounting the detector



17 DETECTOR KNOCKOUTS



18 CEILING MOUNT BRACKET



19 WALL MOUNT BRACKET

