

# Prestige Compact XT

## Digital Miniature PIR INSTALLATION INSTRUCTIONS



THANK YOU FOR VOTING TEXECOM  
Ask your distributor today for the Texecom full colour Product Guide.

**Texecom**  
www.texe.com

### QUALITY ASSURANCE



Certificate Number: FM 35285



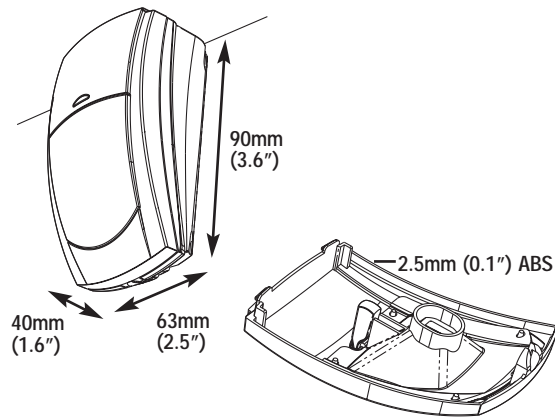
### WARRANTY

10 year replacement warranty.

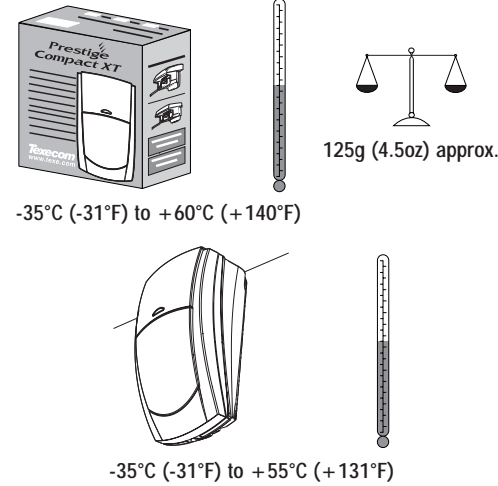
The *Prestige Compact XT* is designed to detect the movement of an intruder and activate an alarm control panel. As the *Prestige Compact XT* is not a complete alarm system, but only a part thereof, Texecom cannot accept responsibility or liability for any damages whatsoever based on a claim that the *Prestige Compact XT* failed to function correctly.  
All specifications are measured at 20°C (68°F). Due to our policy of continuous improvement Texecom reserves the right to change specification without prior notice.

Document Ref: PCXT/EU/1.0  
© 2004 Texecom Ltd  
The *Prestige Compact XT* is protected by UK & International Registered Design. Registered Design Number: 3008617

### 1 PHYSICAL



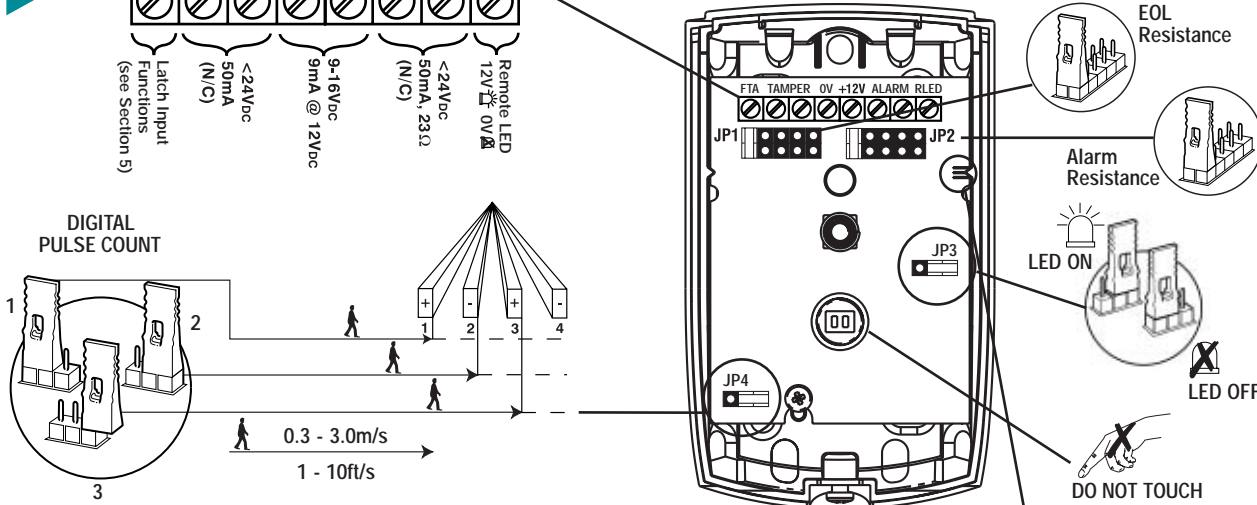
### 2 ENVIRONMENTAL



### 3 STANDARDS & APPROVALS

- Detector Standard:** Designed to comply with TS 50131-2-2 Grade 2 Environmental class II.
- System Standard:** Suggested use: within a BS EN 50131-1 Grade 2 system.
- EMC:** Independently certified to EN 50130-4 : 1996.
- RF Immunity:** No false alarms from 80MHz to 1GHz at 10V/m. Complies with BS EN 61000-4-3 : 2002.
- Electrostatic Discharge:** No false alarm up to 8kV. Complies with BS EN 61000-4-2 : 1995.
- Fast Transient Immunity:** No false alarm up to ±4kV. Complies with BS EN 61000-4-4 : 1995.
- High Energy Transient Immunity:** No false alarm up to ±1kV. Complies with BS EN 61000-4-5 : 1995.
- Conducted RF Susceptibility:** No false alarms at 10Vrms. Complies with BS EN 61000-4-6 : 1996.
- Conducted Emissions:** Complies with EN 55022 Class B.
- Radiated Emissions:** Complies with EN 55022 Class B.

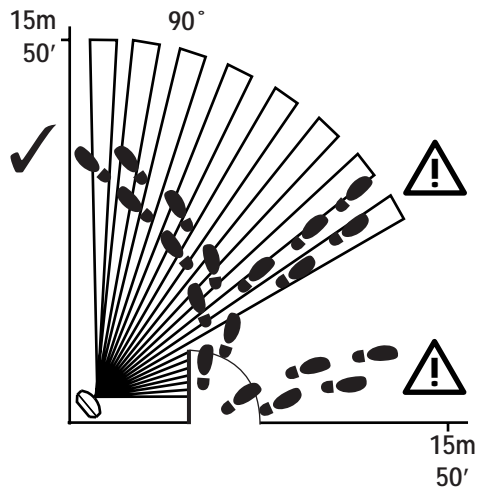
### 4 FTA TAMPER 0V +12V ALARM RLED



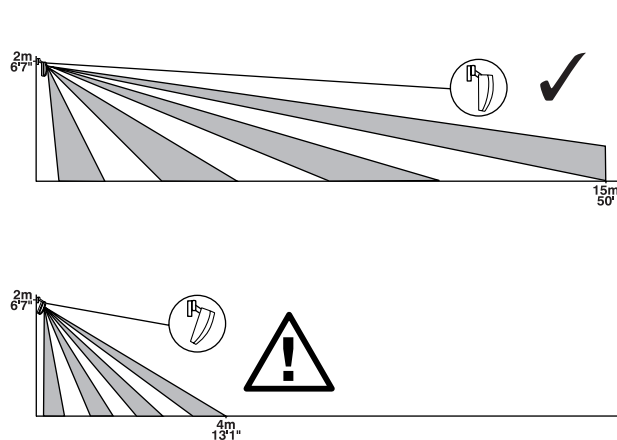
### 5 LATCH INPUT FUNCTIONS

- The latch terminal (see Section 4) can perform several different functions depending on how it is connected:
- Latch connected to Set Positive (SW+, Set+):** The LED will be disabled while the system is set. Any detectors triggered while the system is set will indicate this by permanently lighting the LED (upon unsetting the system). Detectors can be reset by taking the latch line high and then low again.
- Latch connected to Alarm Positive (AL+, A+ve):** The first detector activated while the system is set will indicate this with a slowly flashing LED (upon unsetting the system). Detectors subsequently activated will indicate this by permanently lighting their LED. Detectors can be reset by taking the latch line high and then low again.

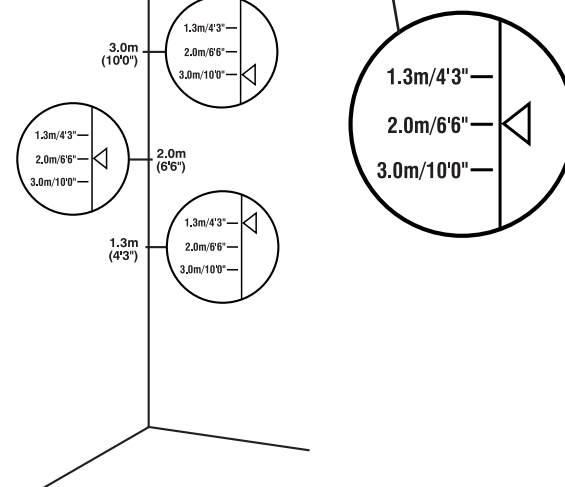
### 6 COVERAGE AND PICK-UP



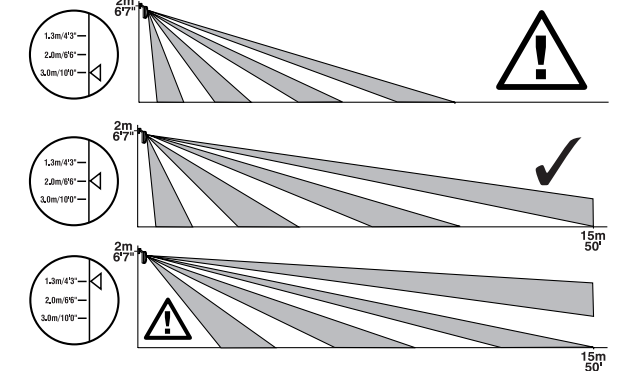
### 7 ANGLING THE DETECTOR



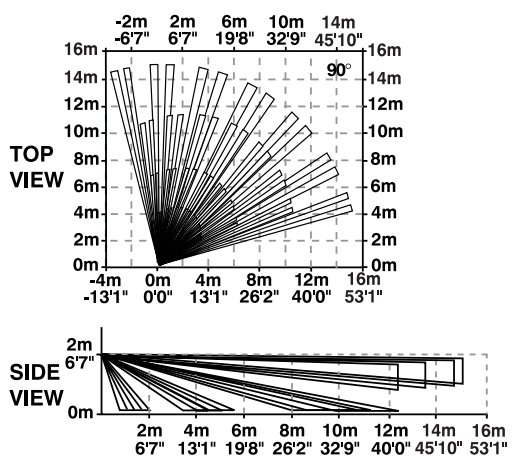
### 8 MOUNTING HEIGHT AND SETTINGS



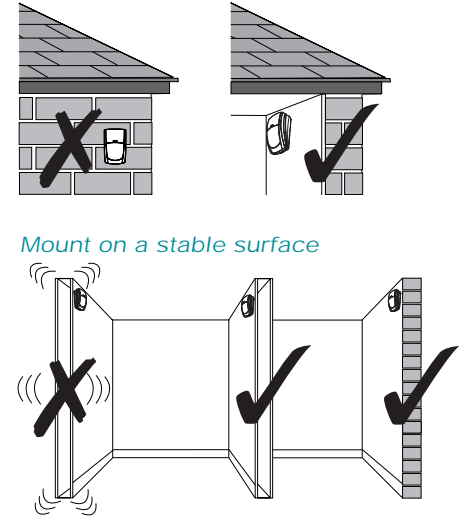
### 9 COVERAGE AT 2m



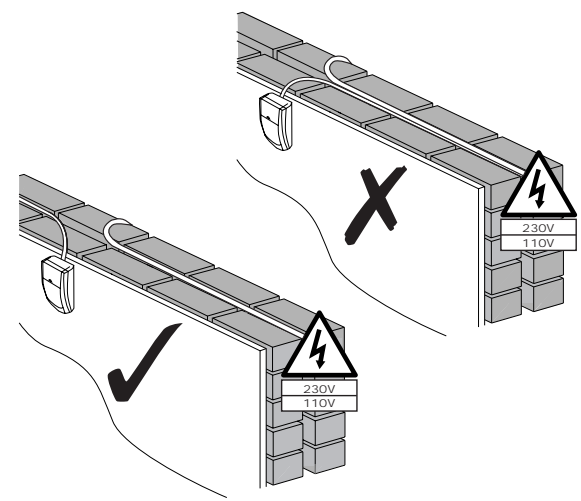
# 10 COVERAGE PATTERN VOLUMETRIC



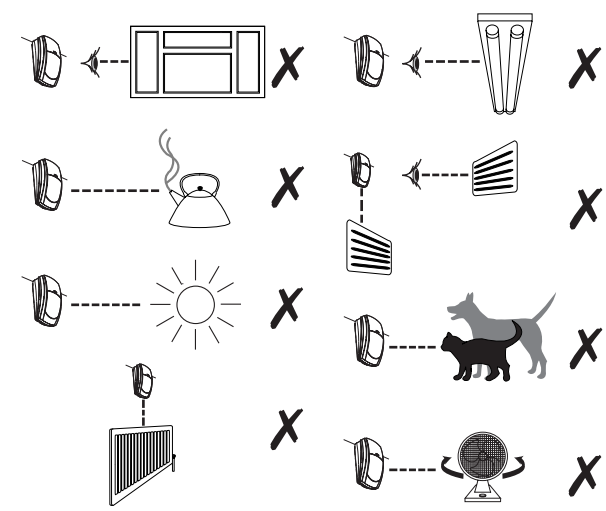
# 11 MOUNTING For indoor use only



# 12 WIRING Do not run cable parallel to mains wiring



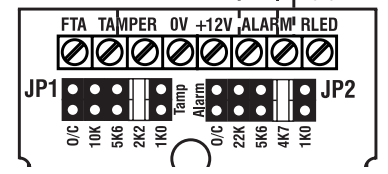
# 13 CHOOSING A LOCATION Avoid common false alarm sources



# 14 EOL RESISTOR HEADERS

The headers JP1 and JP2 (see Section 4) are used to select resistances for End-of-Line (EOL) wiring applications.

JP1 Selects the End-of-Line resistance. Equivalent to wiring a resistor of the selected value as shown.  
 JP2 Selects the resistance across the alarm relay. Equivalent to wiring a resistor of the selected value as shown.

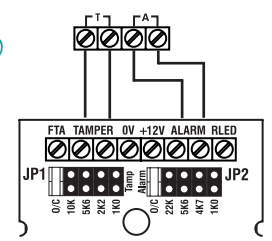


If EOL wiring is not used, the headers should be left in the default (0/C) position. If the required resistance values are not available, leave the headers in the 0/C position and wire in external resistors as normal.

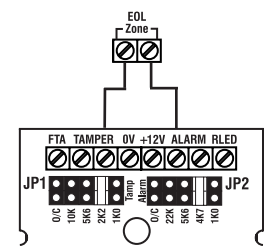
EOL Settings for Texecom Panels	JP1	JP2
Veritas	10k	22k
Premier & Premier International	2k2	4k7

# EXAMPLES OF EOL HEADER USE - Values shown are for Premier Panels

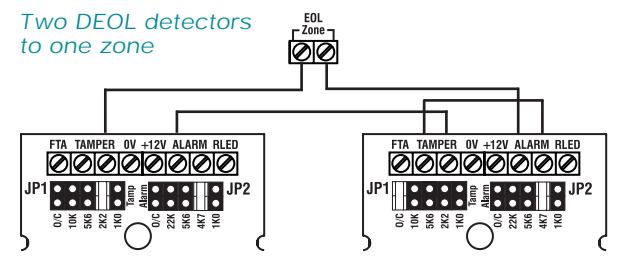
Double Pole (headers not used)



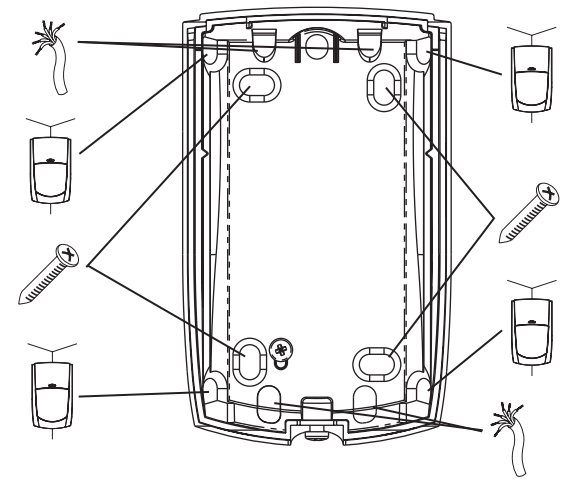
Dual End-of-Line (DEOL)



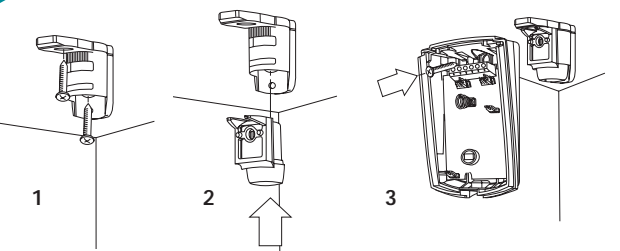
Two DEOL detectors to one zone



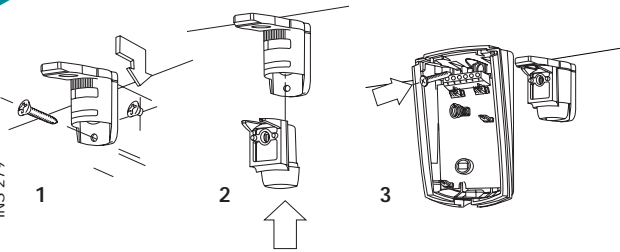
# 15 DETECTOR KNOCKOUTS



# 16 CEILING MOUNT BRACKET



# 17 WALL MOUNT BRACKET



# 18 MOUNTING WITHOUT BRACKETS

